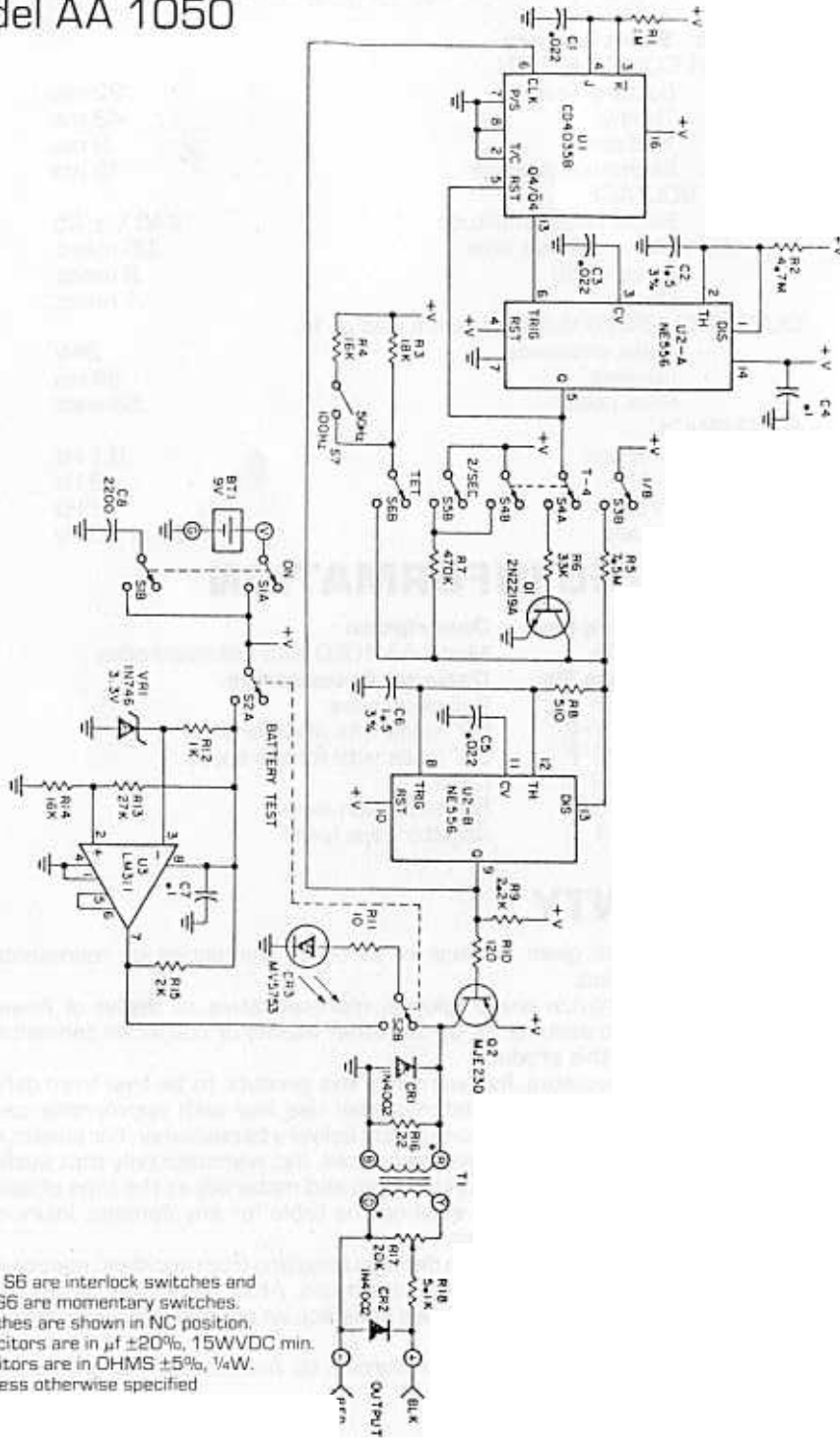


PERIPHERAL NERVE STIMULATOR

Model AA 1050



- 4. S2 Thru S6 are interlock switches and S2 and S6 are momentary switches.
 - 3. All switches are shown in NC position.
 - 2. All capacitors are in μf $\pm 20\%$, 15WVDC min.
 - 1. All resistors are in OHMS $\pm 5\%$, $\frac{1}{4}\text{W}$.
- NOTES: Unless otherwise specified



ANESTHESIA ASSOCIATES, INC.

460 Enterprise Street, San Marcos, California 92069

PERIPHERAL NERVE STIMULATOR MODEL AA 1050 OPERATION & SPECIFICATIONS MANUAL

OPERATION & CARE

This Nerve Stimulator has been thoroughly tested and inspected and found to function within the specifications described in this manual.

Should there be any discrepancies, contact Anesthesia Associates, Inc.

SWITCH FUNCTIONS

NOTE: Switches are "ON" when pushed in.

- A. On-Off — Turns stimulator on and off. Must be in the on (in) position to use all functions. This is an alternate-action switch, which means push in for on, push in again for off. Be sure unit is in the off position when not in use.
- B. Battery test — When this momentary-action switch is held in (on), the LED indicator on front of stimulator will light if battery voltage is above 7.5V. Battery should be replaced if indicator does not light.
- C. 1/8 sec. — This is a standby mode giving one pulse every eight (8) seconds.
- D. T-4 — Train of four mode, giving four (4) pulses in two (2) seconds, resting for eight (8) seconds, then repeating train of four.
- E. 2/sec. — 2 per second mode, giving a continuous 2 pulses per second.
- F. TET — Tetany mode, a continuous pulsing at 100 Hz or 50 Hz. Frequency must be preselected with slide switch located in battery compartment. See "Battery Replacement" for access. This momentary-action switch must be held in to function and releases modes C, D and E.

OUTPUT

Output is adjustable from 0 to 280V with panel-mounted slide potentiometer.

POWER

Power is supplied from a 9V transistor type battery, Eveready 1222 or equivalent.

Estimated battery life is 8 hours for Eveready 1222 and 20 hours for Eveready alkaline (continuous usage).

BATTERY REPLACEMENT

When the battery must be replaced or when the TET frequency changes, remove one (1) large thumb screw located on the back of the stimulator at the bottom center and slide battery cover out. Frequency slide selector switch is located on the right-hand side of the battery compartment. Position switch at either 100 Hz or 50 Hz (printed on printed circuit board).

TERMINALS

Output terminals and leads are color-coded red and black for identification. They are color-coded according to electrical convention. However, patient response may indicate polarity reversal.

WIRE BAIL

By placing the adjustable bail in various positions, the nerve stimulator can be hung on your belt, propped up at an angle, or used for hanging on the wall or gas machine. To hang, remove bail by squeezing and turn it 180 degrees.

INDICATOR LAMP

This is not an indication of power output or battery life (unless battery test switch is depressed). It is an indication of the stimulator pulse only.

CARE OF CASES

Only a mild soap and damp cloth is recommended. Caution: Do not allow water to get inside case. Damage to electrical components may result.

TECHNICAL SPECIFICATIONS

POWER: 9 volt battery

CURRENT CONSUMPTION	
Battery Test	22 ma
Tetany	43 ma
1/8 sec.	9 ma
Estimated average	15 ma

OUTPUT VOLTAGE

Single pulse amplitude	240 V ± 25
Maximum rise time	.05 msec.
Pulse width	.6 msec.
Decay	.1 msec.

OUTPUT CURRENT (Limited) with a load of 1K

Pulse amplitude	24V
Current	24 ma
Peak power	.58 watt

FREQUENCY

1/8 sec.	0.1 Hz
T-4	2 Hz
2/sec.	2 Hz
Tetany	100 or 50 Hz

ORDERING INFORMATION

Catalog No.	Description
00-105	Model AA 1050 with ball electrodes
Catalog No.	Optional Accessories:
00-106	Ball electrodes
00-107- \bar{P}	50" leads with alligator clips
00-108- \bar{P}	50" leads with female snaps
00-109	Case
00-110- \bar{P}	50" extension leads
00-111	Alligator clips (pair)

WARRANTY

This warranty is given in place of all other warranties or representations, expressed or implied.

We do not authorize any employee, representative, or dealer of Anesthesia Associates, Inc. to assume for us any other liability or obligation connected with the use or sale of this product.

Anesthesia Associates, Inc. warrants this product to be free from defects in workmanship and materials, under normal use and with appropriate care and maintenance, for one (1) year from date of delivery to customer. For plastic, rubber and electrical cords, Anesthesia Associates, Inc. warrants only that such items shall be free from defects in workmanship and materials at the time of delivery.

Anesthesia Associates, Inc. shall not be liable for any damage, injury or loss arising out of use of this product.

This warranty does not apply to damage resulting from accident, misuse, abuse, tampering or from other abnormal conditions. After inspection, if any of these conditions is determined as the cause of defect, an estimate of repair charges will be submitted before servicing.

Defective equipment must be returned to Anesthesia Associates, Inc. by prepaid freight.