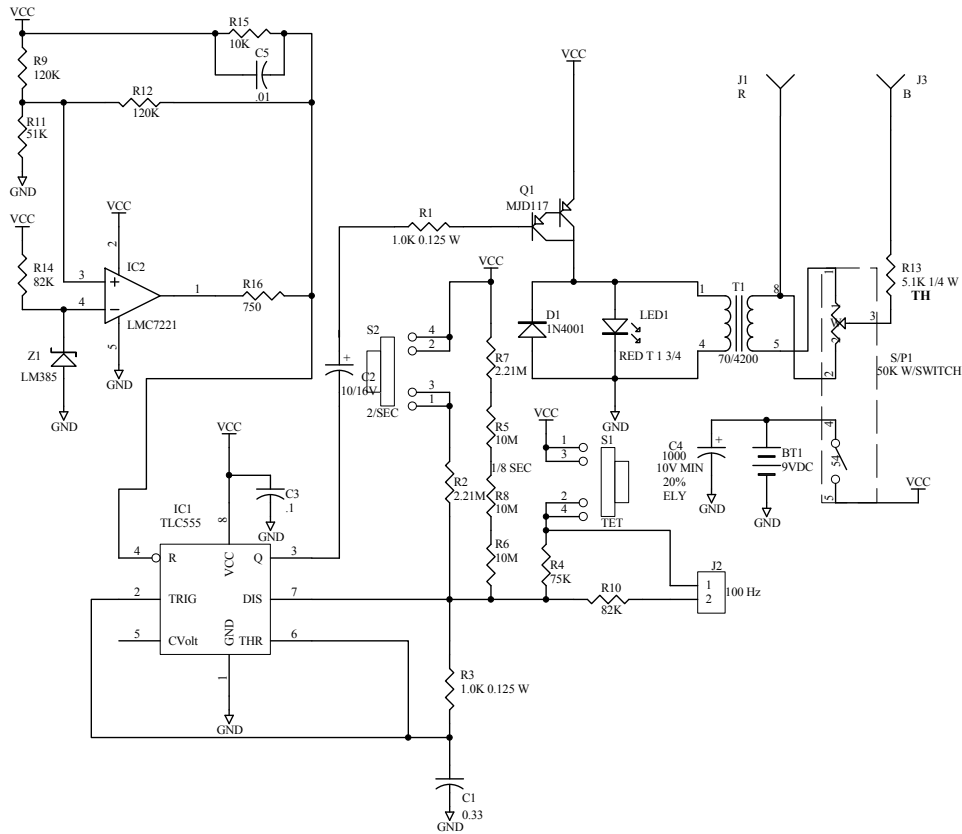


COMPACT PERIPHERAL NERVE STIMULATOR

MODEL 100 / PART #00-100: SCHEMATIC (SMD)



NOTES: UNLESS OTHERWISE SPECIFIED
1. RESISTORS SMD, 0.1 W, 1%
2. CAPACITORS: 16V, 10%, CERAMIC, X7R



ANESTHESIA ASSOCIATES, INC.

460 Enterprise Street, San Marcos, California 92078

Visit our website at: www.AinCA.com

e-mail: Solutions@AinCA.com

COMPACT PERIPHERAL NERVE STIMULATOR

MODEL 100 / PART #00-100
OPERATION & SPECIFICATIONS
MANUAL

OPERATION & CARE

This Nerve Stimulator has been thoroughly tested and inspected and found to function within the specifications described in this manual, as well as comply with FDA Performance Standard 21 CFR, Part 898. Should there be any discrepancies, contact Anesthesia Associates, Inc.

SWITCH FUNCTIONS

- A. **On-Off**-Rotating switch on right side, when rotated down towards the operator, Nerve Stimulator is in the on position, and is delivering one pulse every eight (8) seconds. This rotating switch also controls the output voltage, the higher the number, the higher the output voltage, 9 maximum output, 1 minimum output. Be sure switch is in off position when not in use.
- B. **2/sec.**-Push button top left when depressed and held, the one pulse in eight (8) seconds will be overridden with a continuous two (2) pulses per second, when the button is released the output will return to the 1/8 mode. For **train of four**, hold the 2/sec. button for two cycles, four pulses.
- C. **TET**-Push button bottom left when depressed and held, the 1/8 mode will be overridden and a continuous tetanus at 100 HZ will be the output. When button is released, the output will return to the 1/8 mode.

To change tetanus output to 50 HZ, using a screw driver, open battery compartment bottom of unit, and slide switch on left side back to 50 HZ position, replace battery cover.

If 2/sec. button and TET button are depressed at the same time by accident, tetanus will be the output.

OUTPUT

Output is adjustable from 0 to 450V open circuit with rotating potentiometer.

POWER

Power is supplied from a 9V transistor type battery, Eveready 1112 or equivalent. Estimated battery life is up to 1000 hours.

BATTERY REPLACEMENT

When the battery must be replaced, or when the TET frequency is changed, remove one (1) screw located on the bottom of the stimulator and slide battery cover out. Frequency slide selector switch is located on the left-hand side of the battery compartment. Position switch at either 100 HZ or 50 HZ (printed on side).

INDICATOR LAMP

This is not an indication of power output or battery life. It is an indication of the stimulator pulse only. Although if lamp does not light, battery must be replaced. Lamp will not light if battery voltage is below 6 volts. Press TET button for battery test.

CARE OF CASE

Only a mild soap and damp cloth is recommended. Caution: Do not allow water to get inside case. Damage to electrical components may result.

TECHNICAL SPECIFICATIONS

FREQUENCY: 1Pulse/8±2 sec.
2 Pulses/1±.25 sec.
100±20 Pulses/sec.
50±10 Pulses/sec. (optional)

PULSE WIDTH: .30±.08 Millisec

OUTPUT VOLTAGE: (Adjustable) 0 - 450±50 V peak

OUTPUT CURRENT: (Into 1.2k ohm load) 0 to 35±5 Milliamp

BATTERY LIFE (operating) up to 1000 hours

LOW BATTERY DETECTOR: 6±1V nominal

POWER: One standard 9v battery

SIZE: 5.5" x 1.5" x .9"

ORDERING INFORMATION

Catalog No.	Description
00-100	Model 100 Nerve Stimulator with ball electrodes
Catalog No.	Optional Accessories
00-106	Ball electrode set
00-107-P	54" leads with alligator clips, protected, compliant
00-108-P	54" leads with female snaps, protected, compliant
00-109	Case
00-110-P	54" extension leads, protected, compliant
00-112-P	Adapter kit, plug safety retrofit for pre-Y2K Nerve Stimulators

WARRANTY

This warranty is given in place of all other warranties or representations, expressed or implied.

We do not authorize any employee, representative, or dealer of Anesthesia Associates, Inc. to assume for us any other liability or obligation connected with the use or sale of this product.

Anesthesia Associates, Inc. warrants this product to be free from defects in workmanship and materials, under normal use and with appropriate care and maintenance, for one (1) year from date of delivery to customer. For plastic, rubber and electrical cords, Anesthesia Associates, Inc. warrants only that such items shall be free from defects in workmanship and materials at the time of delivery.

Anesthesia Associates, Inc. shall not be liable for any damage, injury or loss arising out of use of this product.

This warranty does not apply to damage resulting from accident, misuse, abuse, tampering or from other abnormal conditions. After inspection, if any of these conditions is determined as the cause of defect, an estimate of repair charges will be submitted before servicing.

Defective equipment must be returned to Anesthesia Associates, Inc. by prepaid freight.